

Model 2420

# Wall lift

A versatile solution for many situations



- Portable lifting device
- Wall or floor mounted
- Easy to remove and re-use
- Perfect for areas where access is restricted
- Accommodates both the body support and conventional slings
- Extendible boom arm
- Rotating range 180°
- An economical solution

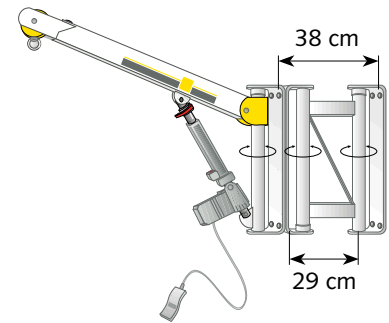
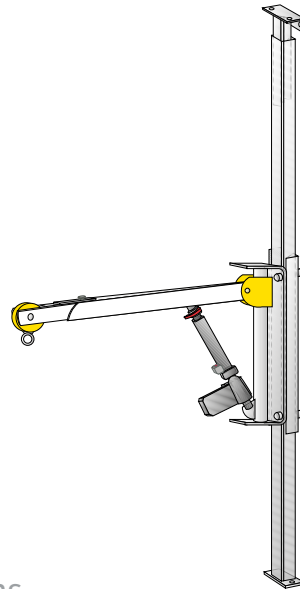
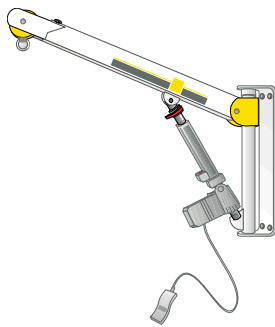
Lift & Care systems for people with reduced mobility

[www.handimove.com](http://www.handimove.com)

# Wall lift

## ● Three possibilities for fixation

Mounted on wall plate(s)	Mounted on standing support(s)	Wall plate + extension for a larger range
--------------------------	--------------------------------	---

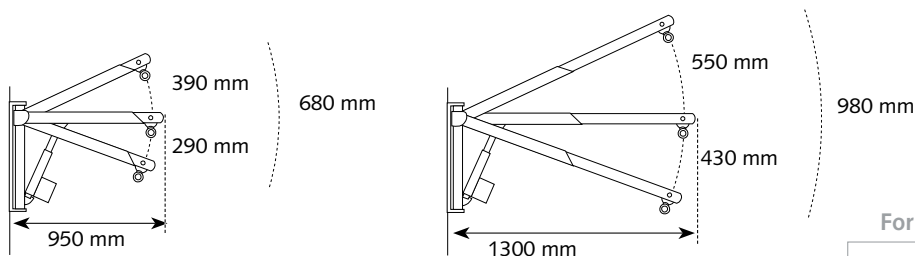


## ● Dimensions and specifications

- Actuator directly on the mains power with pneumatic handcontrol
- Actuator on 24 V DC transformer with emergency power facilities and electric handcontrol

Safe working load	145 kg	
Wall plate	width	140 mm
	height	687 mm
Standing support	outside dimensions	80 x 50 mm
	max. height	3000 mm
Boom arm	extendible	
Weight	16 kg	
Safety mechanism	built-in	

## ● Lifting range



For free demonstration or further information

